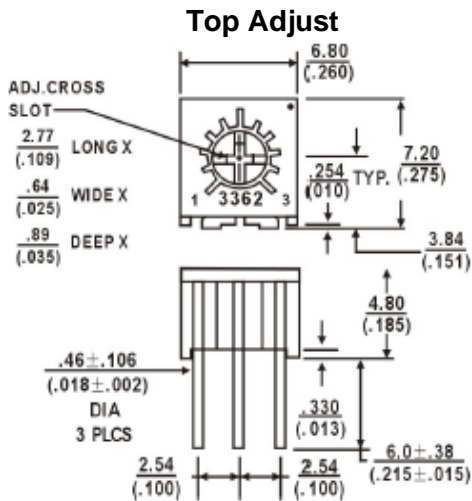


VTR-A-3362 Square Trimming Potentiometer

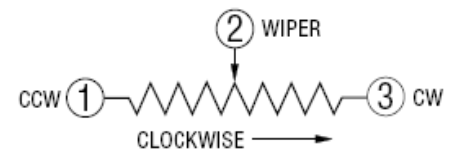
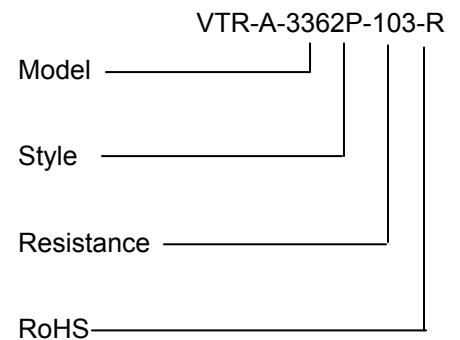
Single Turn/ Cermet/ Industrial/ Sealed * 9 Terminal Styles

Electrical Characteristics		Environmental Characteristics	
Standard Resistance Range	10Ω - 5MΩ	Power Rating (max 315V)	0.25W@70°C, 0W@125°C
Resistance Tolerance	±10%	Temperature Range	-55°C ~ +125°C
Absolute Minimum Resistance	≤1% R & 10n	Temperature Coefficient	250 or ±100ppm/°C
Contact Resistance Variation	CRV ≤3% or 5 Ω	Temperature Variation	-55°C, 30min, +125°C 30min, 5 cycles
Insulation Resistance	R1 ≥1GΩ(500Vac)	Vibration	ΔR ≤5%R, Δ(Uab/Uac) ≤5% 10 - 500Hz, 0.75mm, 6h
Withstand Voltage	220V	Collision	ΔR ≤5%R, Δ(Uab/Uac) ≤7.5% 390m/s ² , 4000cycles, ΔR ≤5%R
Effective Travel	260°±10°	Electrical Endurance at 70°C	0.5W@70°C 1000h, ΔR ≤10%R R1 ≥100MΩ (whichever is larger)
Physical Characteristics		Rotational Life	200 cycles (whichever is larger) ΔTR ≤10%R, CRV ≤3% or 5 Ω
Starting Torque	≤35mN·m		
Marking	Resistance Tolerance Model Resistance Code		
Standard Packaging	50pcs, per tube		

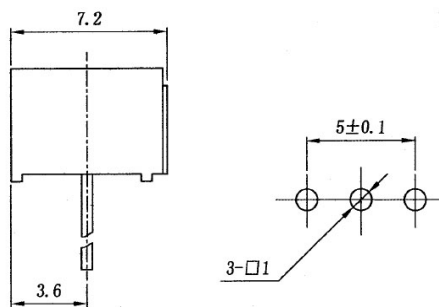
Common Dimensions



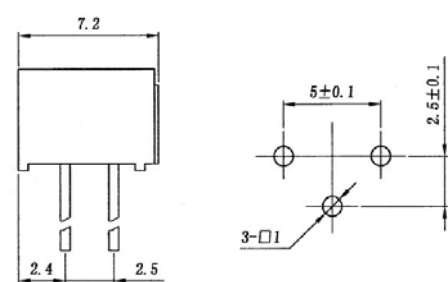
How To Order



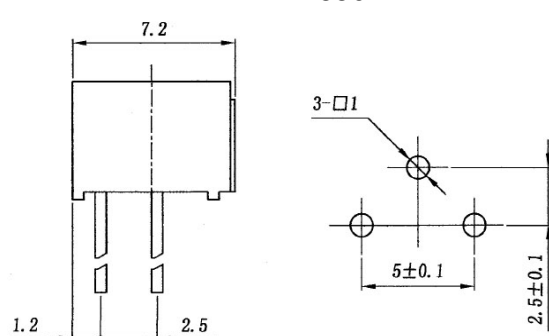
VTR-A-3362U



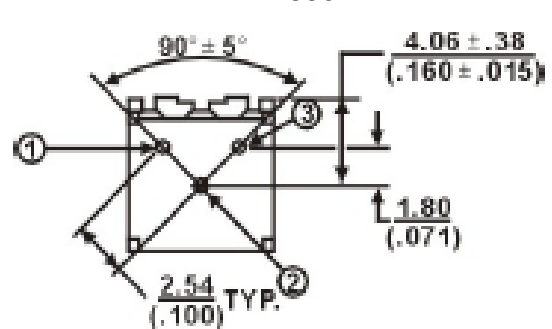
VTR-A-3362R



VTR-A-3362P



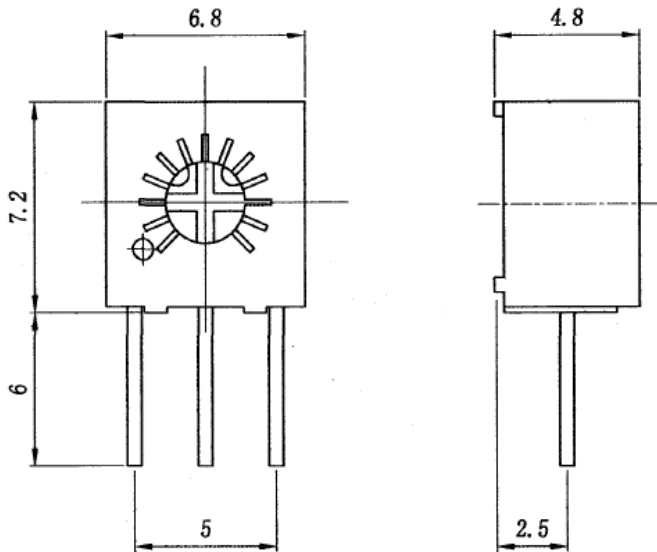
VTR-A-3362H



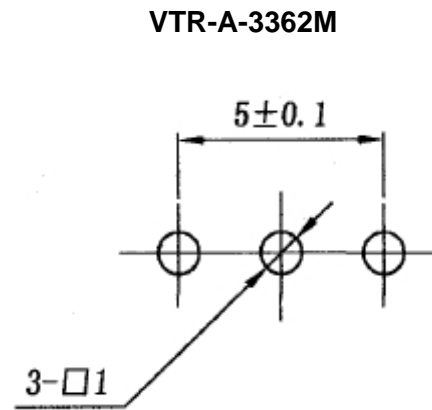
VTR-A-3362 Square Trimming Potentiometer

Single Turn/ Cermet/ Industrial/ Sealed * 9 Terminal Styles

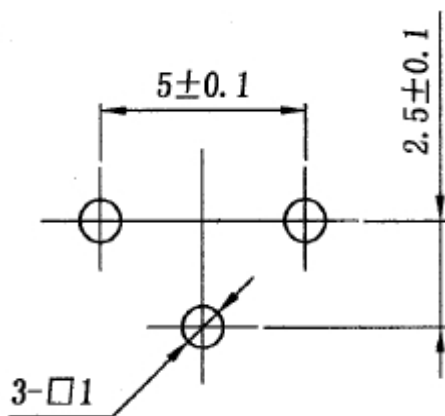
Side Adjust



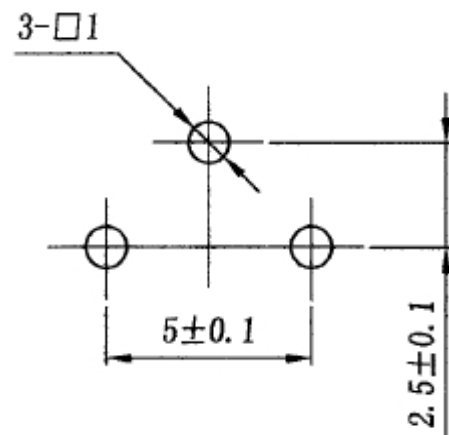
VTR-A-3362W



VTR-A-3362M

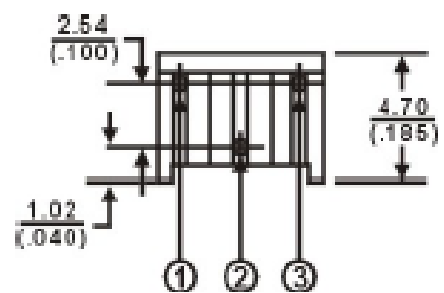
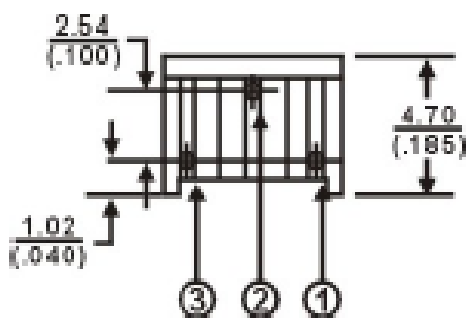


VTR-A-3362X



VTR-A-3362S

VTR-A-3362Z



Note: Specification are subject to change without notice. For more updated information, please visit our website.